



Lesson 1 - QUESTIONS

The symbol for Current is 'I' because, it denotes the 'intensity' electron flow and is measured in A.
 The symbol for Voltage is 'E' for Electromotive Force (EMF) or 'V' for voltage and measured in V.
 The symbol for Resistance is 'R' and is measured in Ohms.

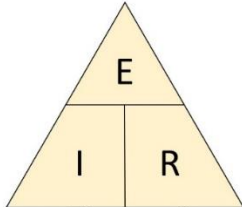


Figure 2

$E = I \times R$	$I = E / R$	$R = E / I$
------------------	-------------	-------------

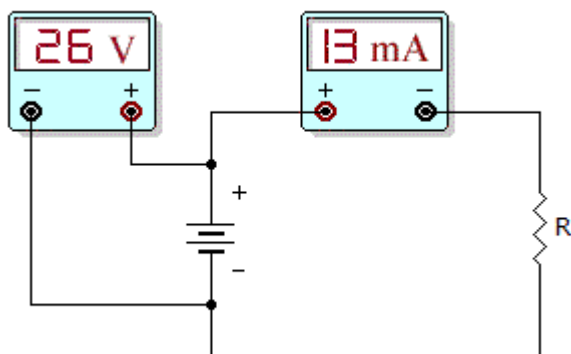
- A.
- B.
- C. Describe how voltage is measured.
- D. Describe how current is measured.

Complete the tables below.

Voltage (E)	Current (I)	Resistance (R)
12 V	2 A	
120 V		6 MΩ
	500 mA	20 Ω
	6 A	40 Ω
60 V		1 KΩ
90 V	3.3 A	
24 V		6 MΩ
6 V	1000 A	
	3 mA	3 KΩ
240 V		1 μΩ
12 V	12 A	
12 V		6 Ω
3 mV	6 μA	
10 MV		20 MΩ
24 V	2 mA	
12 V		500 MΩ
	0.4 mA	110 Ω

	5 A	10.75 Ω
12 kV		25 M Ω
240 V	0.75 mA	
	300 A	1 k Ω

- If doubling the voltage across a resistor doubles the current through the resistor, then
 - the resistor value decreased.
 - the resistor value did not change.
 - the resistor value increased.
 - It is impossible to calculate.
- If the voltage is increased five times across a fixed value of resistance, what does the current do?
 - The current increases by a factor of five.
 - The current decreases by a factor of five.
 - Current stays the same.
 - It is impossible to calculate
- If the resistance in a circuit increases and the voltage is constant, the current will
 - increase
 - decrease
 - stay the same
 - Not enough information



- What is the resistor value in the given circuit?

IMPORTANT: Observe the difference in measuring voltage and current. Voltage is measured across the terminals, but current is measured in the circuit.

- 200 Ohms
- 1k Ohms
- 2k Ohms

D. 4k Ohms

5. If the voltage doubles across a fixed resistance

- A. The current is halved
- B. The resistance doubles
- C. The current is unchanged
- D. The current doubles

6. Ohm's law describes the mathematical relationship between

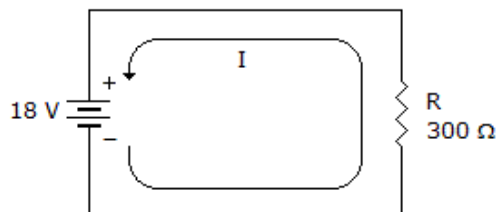
- A. ohms, kilohms, and megohms
- B. resistor size and resistor value
- C. resistance, voltage, and current
- D. none of the above

7. If current through a fixed resistance is halved

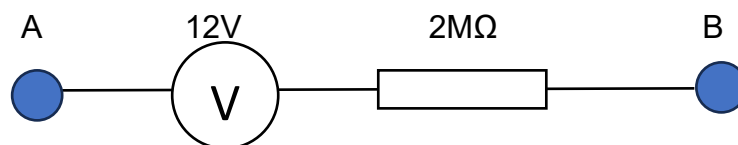
- A. the resistance is halved
- B. the voltage is halved
- C. the voltage doubles
- D. The current cannot change

8. If the voltage in the circuit to the right was cut in half, what would the current equal?

- A. 10 mA
- B. 30 mA
- C. 60 mA
- D. 90 mA



9. What current is flowing in the circuit?



- A. 6A
- B. 6 mA
- C. 6 μA
- D. None

- 10 What current is flowing in the circuit if we connect a conductor between A and B?
- A. 6A
 - B. 6 mA
 - C. 6 μ A
 - D. None
11. A 10 V battery is rated at 20 amp-hours and is discharging through a 150 Ω load. How long will the battery last?
- A. 3 days
 - B. 3 hours
 - C. 30 hours
 - D. 300 hours
12. Describe the difference between a primary and secondary cell.
13. What is meant by the terms direct current (DC) and alternating current (AC)
14. Why cant you get an electric shock if you touch a high voltage wire with a piece of plastic?
15. A 12 V battery can power a series of lights for 20 hours. The lights are which are measured at 24 Ω . What size battery is needed for this task?
- A. 159 amp-hour
 - B. 100 amp-hour
 - C. 10 amp-hour
 - D. Not enough information
16. Describe the difference between conventional current flow and electron flow.
- 17 What is the internal resistance and terminal voltage of a power source?

