



### Lesson 5A – QUESTIONS

Q1. Can a transformer have more than one winding in the secondary?

Yes

No

Give reasons for answer.

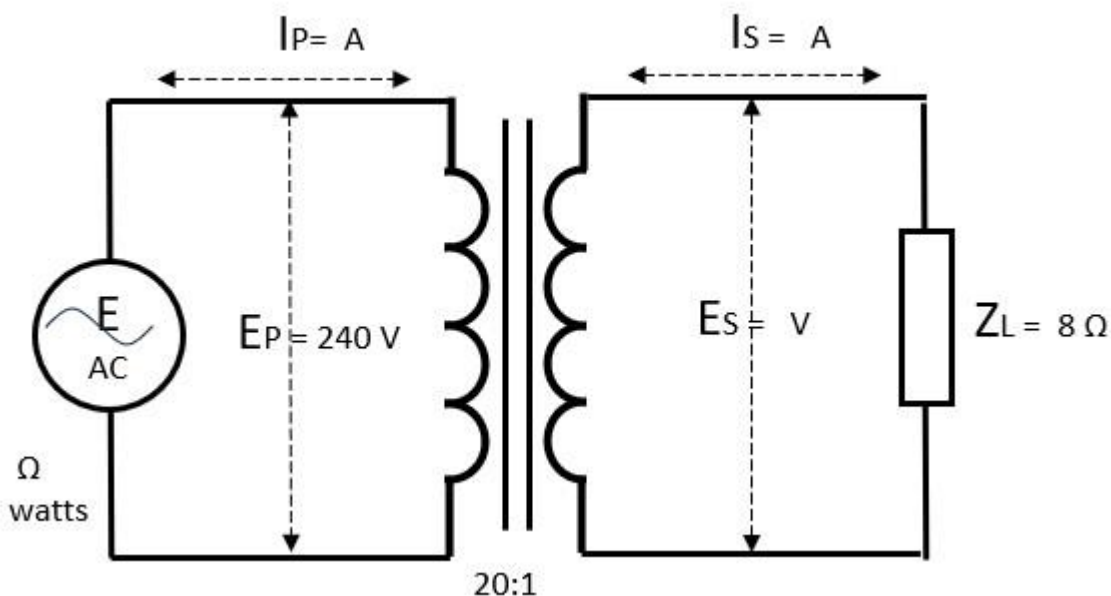
Q2 Why would a transformer have the same number of windings on the primary as the secondary?

- A. Need to use the copper.
- B. Want a DC supply.
- C. Need to isolate circuits.
- D. Makes a good heater.

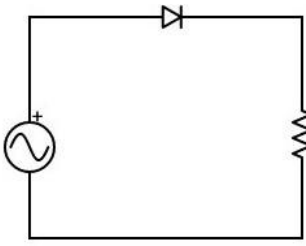
Q 3 Need a 48 V AC supply from a 240 V supply. What is the winding ratio?

- A. 2:1
- B. 5:1
- C. 1:5
- D. 1:2

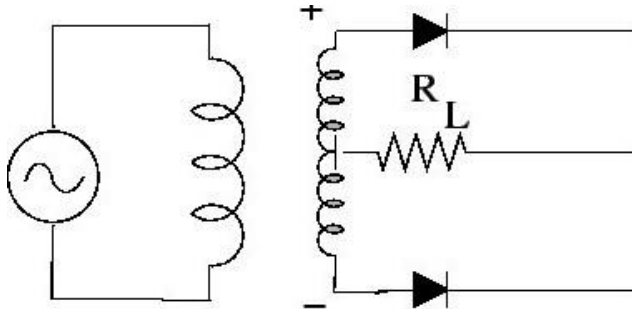
Q 4 Complete the missing details,



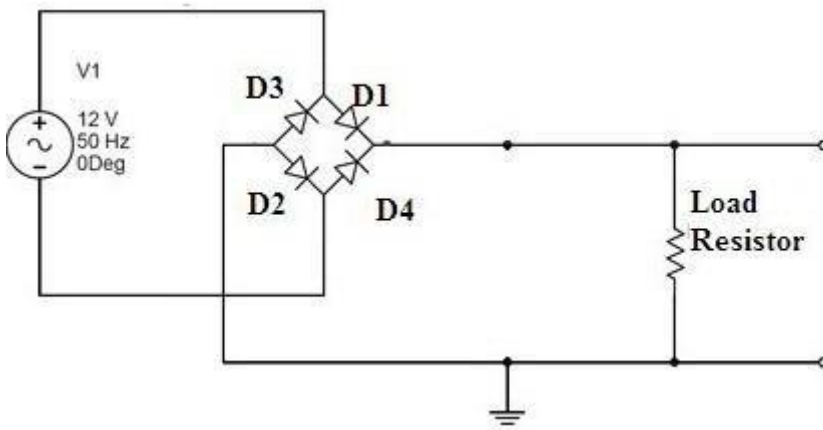
Q5 Describe the operation and purpose of the following circuits. What would the output across the load look like with these circuits?



A.



B.



C.

Q6 What is Peak Inverse Voltage (PIV) and how does it apply to the circuits above?

