



## Section 5

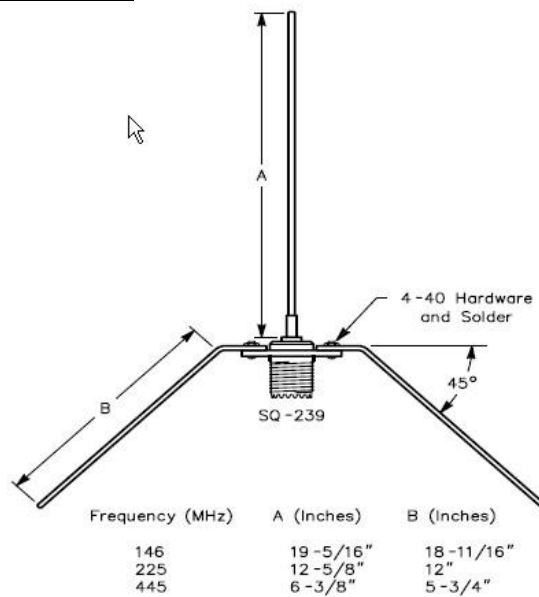
### Antennas.

Revise Antennas Chapter 5-2 of Foundation theory [HERE](#)

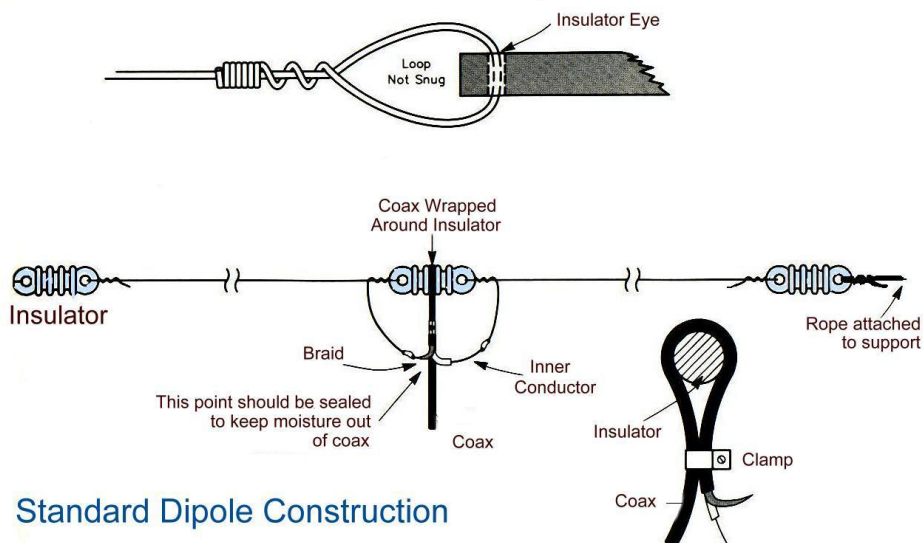
#### Identify Antennas

**Task.** Physical examples or supplied (standard) assessors' diagram of five antenna types. At least four of the five antennas identified correctly.

#### Ground Plane (Vertical) Antenna



#### Dipole Antenna



#### Standard Dipole Construction

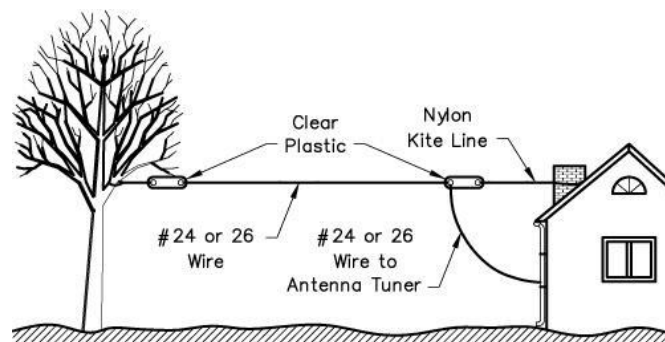
**Folded Dipole Antenna**



**Yagi Antenna**



**End Fed Antenna**



**Action:**

Know and identify all five antennas.

*Have fun and stay safe.*